



Supplier EDI Specification

Delivery Forecast DELFOR EDIFACT DELFOR D97.A Nexteer Version 5.0

Document Change Log

Version	Date	Description
1.0	2012.05.11	Document issued.
1.1	2012.10.09	Changed NAD+SU to be DUNS number of supplier
2.0	2013.09.19	RFF segment removed the line item number not required as it is not sent on the DELFOR or DELJIT
3.0	2015.04.09	Added EM example for COM segment for Contact Email.
4.0	2015.06.15	Added post Mexico updates.
5.0	2015.07.22	Added Note about removing the RFF:SI and DTM reference for last shipper received.
6.0	2022.08.03	Removed notation about not sending RFF:SI and DTM for last shipper received for Mexico files.

0. TABLE OF CONTENT

0. TABLE OF CONTENT 3

1. INTRODUCTION 4

2. MESSAGE DEFINITION 4

 2.1. FUNCTIONAL DEFINITION 4

 2.2. PRINCIPLES 4

 2.3. REFERENCES 4

 2.4. FIELD OF APPLICATION 4

3. MESSAGE DESCRIPTION..... 5

 3.1. INTRODUCTION 5

 3.1.1. *How to read the documentation* 5

 3.1.2. *General remarks* 6

 3.2. SEGMENT TABLE 7

 3.3. BRANCHING DIAGRAM 9

 3.4. MESSAGE STANDARD DESCRIPTION 12

 3.5. MESSAGE STRUCTURE 17

 3.6. SERVICE SEGMENTS DESCRIPTION 18

 3.7. DATA SEGMENTS DESCRIPTION..... 22

 3.8. EXAMPLE OF MESSAGE 44

1. INTRODUCTION

This document provides the specific description of the EDIFACT DELFOR D97.A message.

1. MESSAGE DEFINITION

This document provides the definition of a Delivery Instruction Message, based on the EDIFACT DELFOR D97.A, to be used in Electronic Data Interchange (EDI) between Nexteer and its Trading Partners.

This documentation is fully comprehensive and allows the implementation of the EDIFACT DELFOR without the necessity for any additional standard related documentation.

2.1. FUNCTIONAL DEFINITION

The Delivery Instruction message is a message from Nexteer to a Nexteer Supplier giving details for both short and long-term material requirements in line with the conditions set out in the purchase contract.

This message may only be used as planning forecast, shipping instruction will be provided in an additional call-off message.

2.2. PRINCIPLES

The Delivery Instruction message is intended to:

- Specify requirements based on the delivery conditions.
- Define the aspects that guarantee synchronisation between Nexteer and the Supplier.
- Provide information allowing the Supplier to plan for future requirements, to purchase raw materials.

2.3. REFERENCES

The content of this message is based on:

- The message structure as defined by EDIFACT for the Delivery Schedule Message DELFOR as published in the UN/EDIFACT D97.A Directory.
- The agreement between the Trading Partners on the data elements to be used, their unique definition, their representation and their values (coded or clear form) as identified in this document.

1.4. FIELD OF APPLICATION

The following definition of a Delivery Instruction Message in EDIFACT format is applicable for the interchange of delivery instructions issued by Nexteer for material deliveries to one or more Nexteer operations.

- Although the DELINS subset defined by ODETTE has been based on the EDIFACT D96.A Directory, which is not upward compatible with the D97.A Directory, the subset defined by Nexteer and described in this document follows as close as possible the structure of the ODETTE subset.

3. MESSAGE DESCRIPTION

Following pages contain a full description of the EDIFACT DELFOR D97.A message as implemented by Nexteer. All segments are included regardless whether used or not used in the interchange with Nexteer. The official EDIFACT segment description is complemented with remarks pertaining to the specific requirements for an interchange with Nexteer. Those remarks contain specific code values used, additional information on the values shown in a specific field, etc. The aim of those remarks is to simplify the implementation of the message.

3.1. INTRODUCTION

3.1.1. How to read the documentation

All segments in the subset used by Nexteer are described in the following pages. The segment description is to be read as follows:

① 0020 BGM- BEGINNING OF MESSAGE

- ② Segment group: None. Level: 1.
- ③ EDIFACT status: Mandatory. Nexteer status: Mandatory.
- ④ Maximum use: 1 per message. Nexteer occurrences: 1 per message.

⑤ Function: Segment for the unique identification of the delivery schedule document, by means of its name and its number.

⑥ Nexteer See remarks. interchange:

⑦ Example: **BGM+241+05001+5'**
 A B C

“+” separates segment sections; “:” separates elements within a segment section

⑦	EDIFACT STANDARD DEFINITION						Nexteer IMPLEMENTATION		
	REF	TAG	NAME	ST	FT	SP	ST	FT	REMARKS
⑧	A	C002	DOCUMENT/MESSAGE NAME	C		:	C		'241' = Delivery Schedule
		1001	Document/message name, coded	C	an..3	:	C	an..3	
		1131	Code list qualifier	C	an..3	:			
		3055	Code list responsible agency, coded	C	an..3	:			
	1000	Document/message name	C	an..35	+				
	B	C106	DOCUMENT/MESSAGE IDENTIFICATION	C					Nexteer assigned release number
		1004	Document/message number	C	an..35	:	C	an..35	
1056		Version	C	an..9	:				
	1060	Revision number	C	an..6	+				
C	1225	MESSAGE FUNCTION, CODED	C	an..3	+	C	an..3	Function of the message. For code values see below.	
	4343	RESPONSE TYPE, CODED	C	an..3	'				

⑩ COMMENTS ⑩ CODE VALUES

LEGEND

- ① segment position in the message structure, segment tag and segment name.
- ② identification (when applicable) of the segment group in which the segment is situated and indication at which level the segment is in the message.
- ③ status of the segment: as defined by EDIFACT and by Nexteer.
- ④ number of occurrences of the segment: as defined by EDIFACT and as used by Nexteer.
- ⑤ description of the function of the segment as defined by EDIFACT and as used by Nexteer.
- ⑥ example of the segment as it may appear in an interchange. This example is only illustrative and does not necessarily represent an actual situation. It should **NOT** be used as a basis to implement this message.
- ⑦ definition of the segment content as defined by EDIFACT and as implemented by Nexteer.
- ⑧
 - identification of the data elements in the segment
 - reference to the example.
 - data element tag - data elements with a 'C' denote a composite data element.
 - data element name - *italic CAPITALS* denote a composite data element.
 - **ST** - the status of the data element.
 - **FT** - the format of the data element, i.e. the indication of the number of characters (numerical or alphabetical) for this data element. **SP** - the separator used between the
 - data elements. remarks on the specific use of the data element in the interchange
 - with Nexteer.
- ⑨ Shaded areas in the Nexteer description mean that Nexteer does not use the data elements.
- ⑩ the segment description can be followed by:
 - comments providing more information regarding specific data elements and how they must be used and/or understood in messages from Nexteer.
 - code values to be used for data elements contained in the message.

3.1.2. General remarks

Following remarks are applicable for the complete documentation:

- **Dates**
Unless otherwise specified in the field explanation in the documentation, dates are always expressed as **CCYYMMDD** (qualifier 2379 = 102).
- **Times**
Unless otherwise specified in the field explanation in the documentation, times are always expressed as **HHMM**.

Nexteer Status

Mandatory: All data elements Marked "Mandatory" should be returned in the DESADV
Conditional: All data elements Marked "Conditional" should be returned in DESADV if sent in the DELJIT / based on some conditions.
Optional: All data elements marked "Optional" may/may not be returned in the DESADV

3.2. SEGMENT TABLE

The following table shows the segments defined for the EDIFACT UNSM DELFOR D97.A Delivery Forecast message. Shaded areas identify the segments that are not used in the subset of DELFOR used by Nexteer. This table, which should be read in conjunction with the branching diagram indicates the maximum number of occurrences for each segment.

POS.	TAG	NAME	ST	REPEATS	
0010	UNH	Message header	M	1	
0020	BGM	Beginning of message	M	1	
0030	DTM	Date/time/period	M	10	
0040	FTX	Free text	C		5
0050		Segment group 1	C	10	
0060	RFF	Reference	M	1	
0070	DTM	Date/time/period	C	1	
0080		Segment group 2	C	99	
0090	NAD	Name and address	M		1
0100		Segment group 3	C	10	
0110	RFF	Reference	M	1	
0120	DTM	Date/time/period	C	1	
0130		Segment group 4	C	5	
0140	CTA	Contact information	M	1	
0150	COM	Communication contact	C	5	
0160		Segment group 5	C	10	
0170	TDT	Details of transport	M	1	
0180	DTM	Date/time/period	C	5	

POS.	TAG	NAME	ST	REPEATS
0190		Segment group 6	C	9999
0200	GIS	General Indicator	M	1
0210		Segment group 7	C	1
0220	NAD	Name and Address	M	1
0230	LOC	Place/location identification	C	10
0240	FTX	Free text	C	5
0250		Segment group 8	C	10
0260	RFF	Reference	M	1
0270	DTM	Date/time/period	C	1
0280		Segment group 9	C	10
0290	DOC	Document/message details	M	1
0300	DTM	Date/time/period	C	10
0310		Segment group 10	C	5
0320	CTA	Contact information	M	1
0330	COM	Communication contact	C	5
0340		Segment group 11	C	10
0350	TDT	Details of transport	M	1
0360	DTM	Date/time/period	C	5
0370		Segment group 12	C	9999
0380	LIN	Line item	M	1
0390	PIA	Additional item information	C	10
0400	IMD	Item description	C	10
0410	MEA	Measurements	C	5
0420	ALI	Additional infor		
0430	GIN	Goods identity n		
0440	GIR	Related identific		
0450	LOC	Place/location id		
0460	DTM	Date/time/period		
0470	FTX	Free text		
0480				
0490	RFF	Reference		
0500	DTM	Date/time/period		
0510				
0520		Segment group		
		Details of transp		
	TDT			
0530				
	DTM			Date/time/period
0540				
0550	QTY			Quantity

0560	DTM		Date/time/period
0570			
0580	RFF		Reference
0590	DTM		Date/time/period
0600			
0610	SCC		Scheduling cond
0620			
0630	QTY		Quantity
0640	DTM		Date/time/period
0650			
0660	RFF		Reference
0670	DTM		Date/time/period
0680		Segment group 20	C 99
0690	PAC	Package	M 1
0700	MEA	Measurements	C 10
0710	QTY	Quantity	C 5
0720	DTM	Date/time/period	C 5
0730		Segment group 21	C 10
0740	PCI	Package identification	M 1
0750	GIN	Goods identity number	C 10
0760		Segment group 22	C 999
0770	NAD	Name and address	M 1
0780	LOC	Place/location identification	C 10
0790	FTX	Free text	C 5
0800		Segment group 23	C 10
0810	DOC	Document/message details	M 1
0820	DTM	Date/time/period	C 1
0830		Segment group 24	C 5
0840	CTA	Contact information	M 1
0850	COM	Communication contact	C 5
0860		Segment group 25	C 10
0870	QTY	Quantity	M 1
0880	DTM	Date/time/period	C 2
0890		Segment group 26	C 10
0900	RFF	Reference	M 1
0910	DTM	Date/time/period	C 1
0920		Segment group 27	M 999

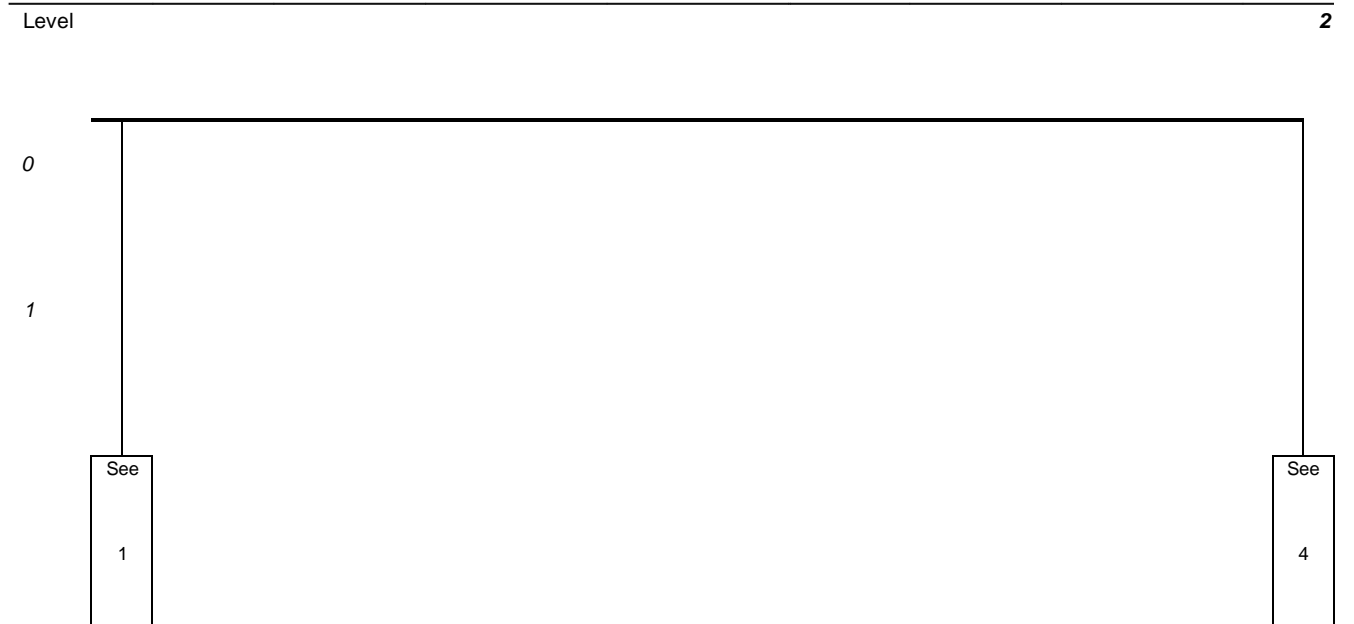
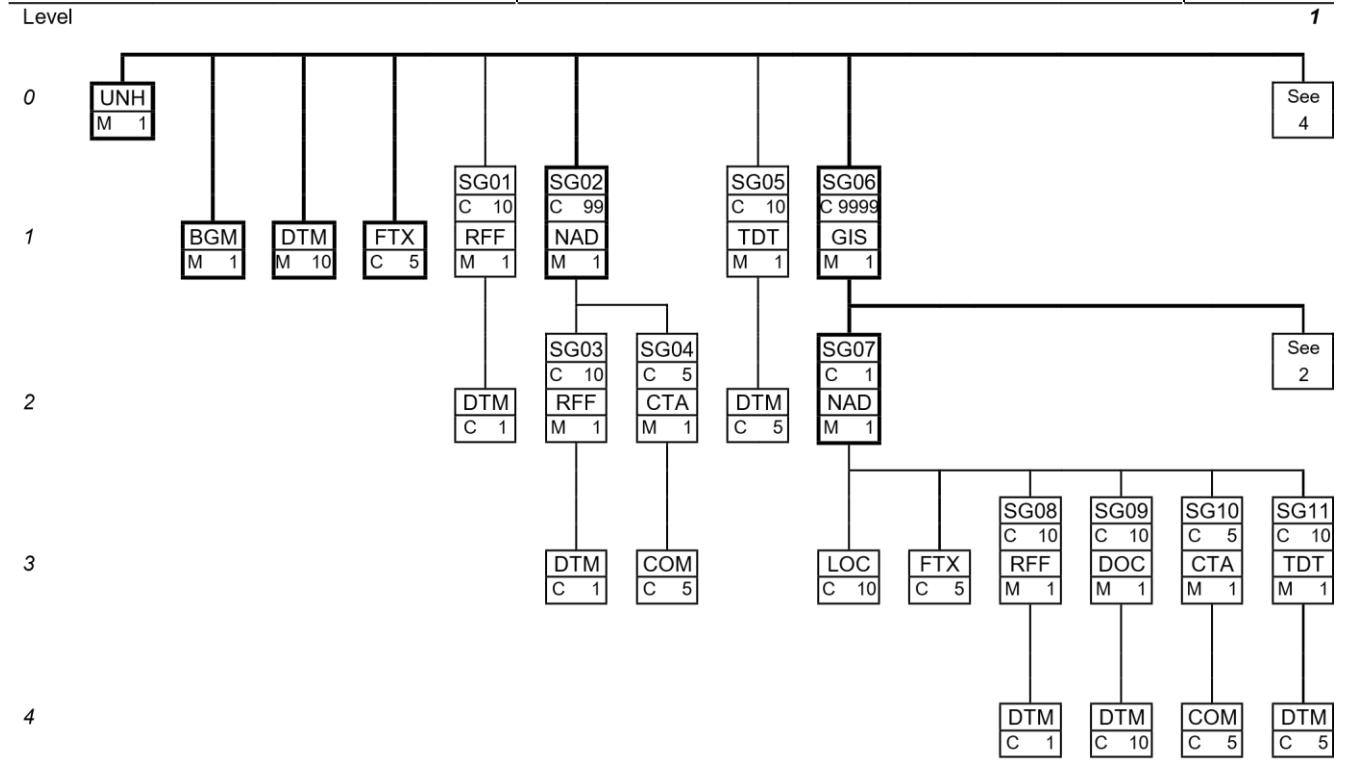
POS.	TAG	NAME	ST	REPEATS				
0930	SCC	Scheduling conditions	M	1				
0940		Segment group 28	M	999				
0950	QTY	Quantity	M	1				
0960	DTM	Date/time/period	C	2				
0670		Segment group 29	C	10				
0980	RFF	Reference	M	1				
0990	DTM	Date/time/period	C	1				
1000		Segment group 30	C	10				
1010	TDT	Details of transport	M	1				
1020	DTM	Date/time/period	C	5				
1030	UNT	Message trailer	M	1				

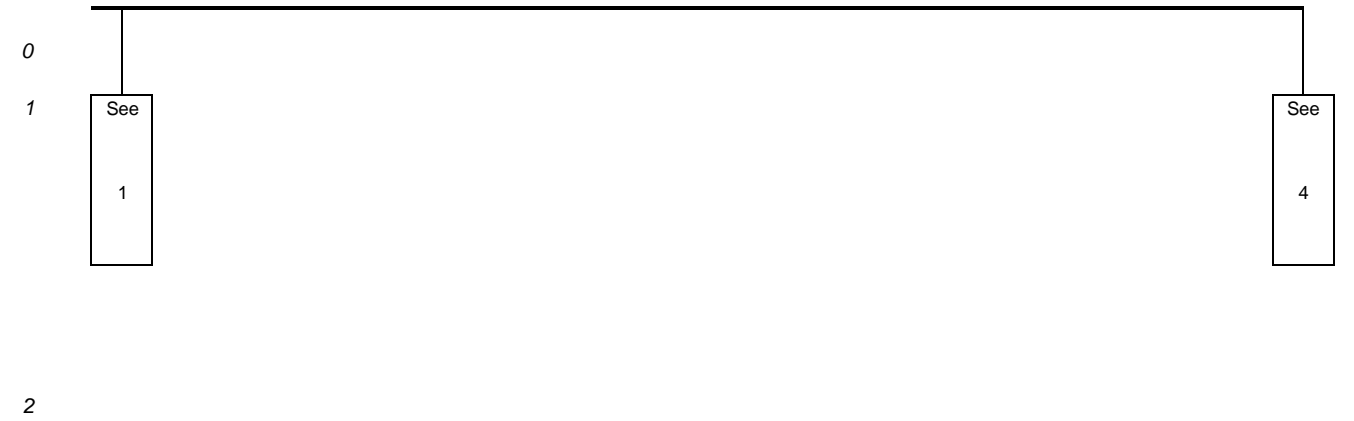
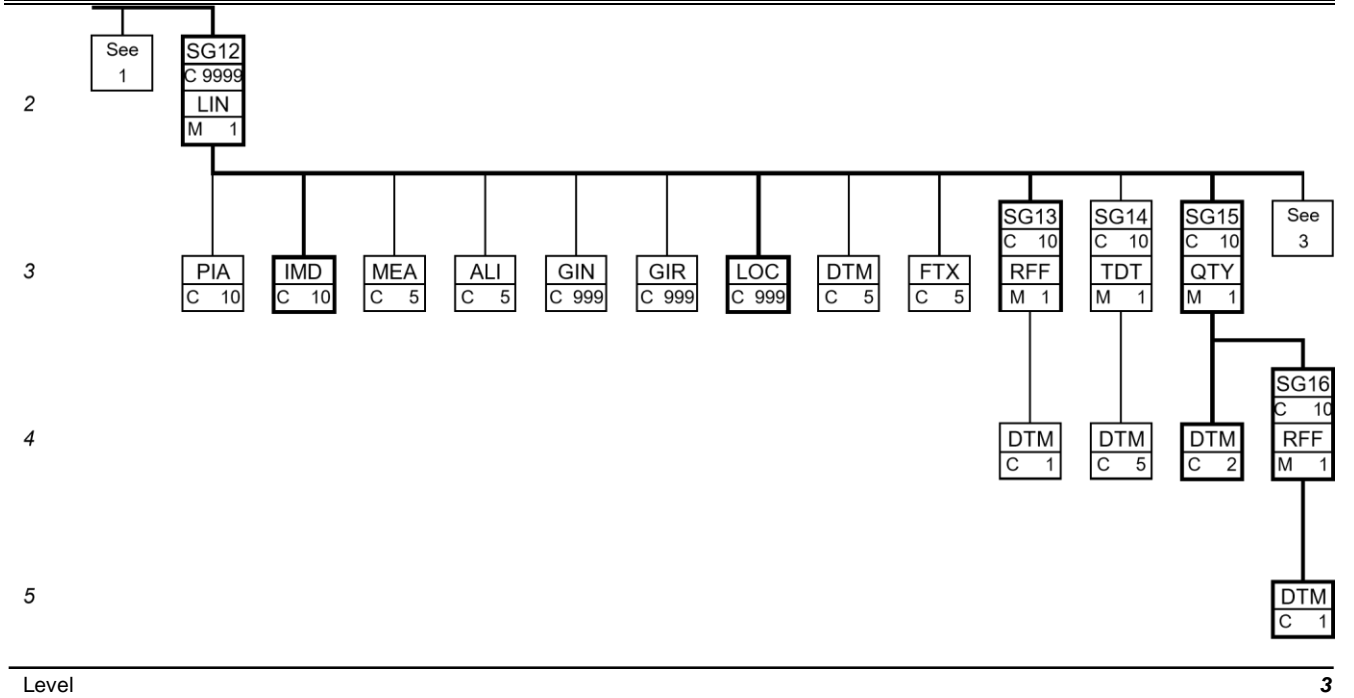
3.3. BRANCHING DIAGRAM

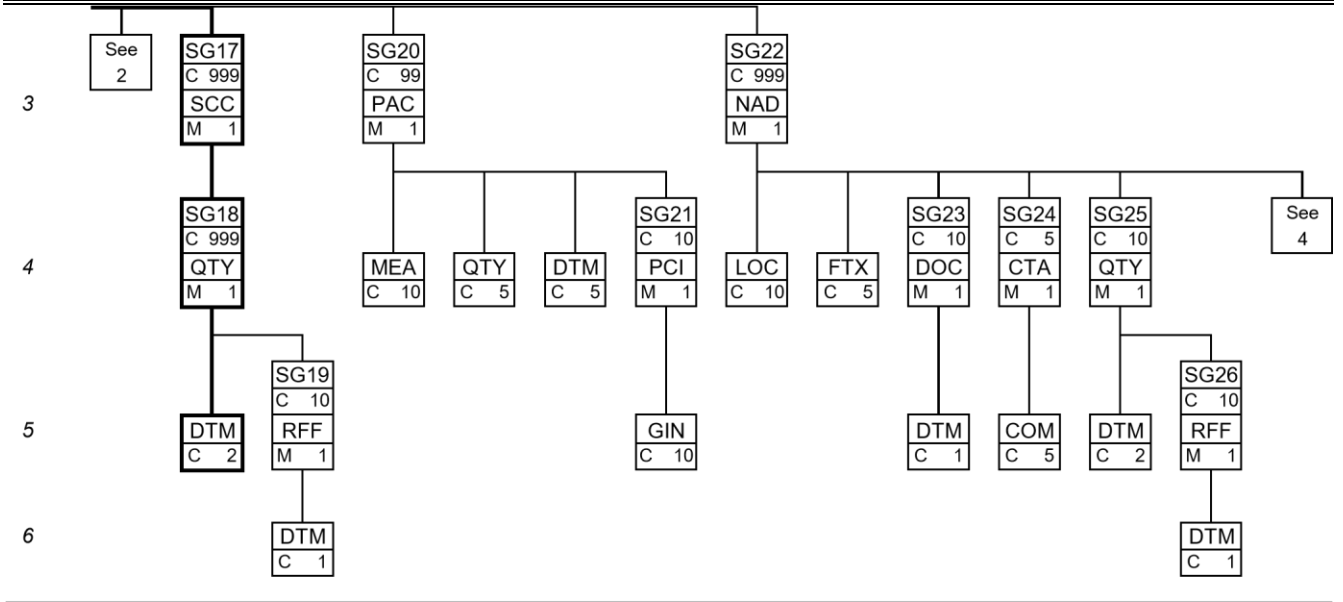
The branching diagram shows the structure of the message. It is a combination of various segments that are organised in a certain hierarchical order.

A segment is a pre-defined set of functionally related values (e.g., segment NAD groups all values that relate to a Party: name - address - etc.)

Each segment within the branching diagram is broken down into one or multiple data elements. Within a segment, only those data elements that contain data must appear.

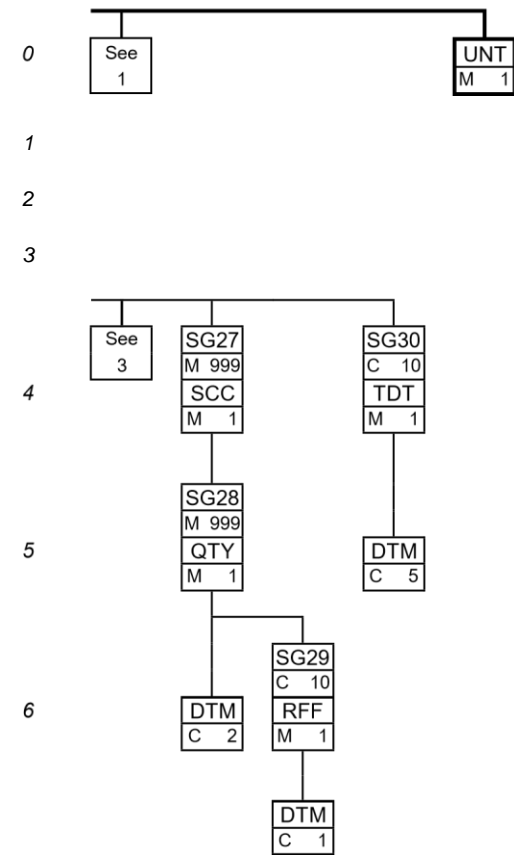






Level

4



NAD ← Name of the segment
M 1 ← Number of occurrences (R = more than one occurrence)
 ↑ Status (M = Mandatory - C = Conditional)

3.4. MESSAGE STANDARD DESCRIPTION

This section provides the description of the UN Standard Message DELFOR as defined in the 97.A Directory. Only the segments printed in bold are used in the subset defined by Nexteer and will be further explained in section 3.6.

3.4.1 Header section

Information to be provided in the Header section:

- 0010 UNH, Message header**
A service segment starting and uniquely identifying a message. The message type code for the Delivery schedule message is DELFOR.
- 0020 BGM, Beginning of message**
A segment for unique identification of the Delivery schedule message by means of its name and its number and its function (original, replacement, and change).
- 0030 DTM, Date/time/period**
The DTM segment shall be specified at least once to identify the Delivery schedule message date. This segment can be included to indicate the beginning and the end date of the schedule.
- 0040 FTX, Free text
A segment with free text in coded or clear form to give further clarification when required. In computer-to-computer exchanges such text will normally require the receiver to process this segment manually.
- 0050 Segment group 1: RFF-DTM
A group of segments giving references relevant to the whole message, e.g. contract number.
- 0060 RFF, Reference
A segment for giving references to the whole Delivery schedule message, e.g. contract, original message number (AGO), previous message number (ACW), import or export license.
- 0070 DTM, Date/time/period
Date or time, or date and time of the reference.
- 0080 Segment group 2: NAD-SG3-SG4**
A group of segments identifying parties by their names, addresses, locations, references and contacts relevant to the whole delivery schedule.
- 0090 NAD, Name and address**
A segment for identifying names and addresses and their functions relevant for the whole Delivery schedule. The principal parties for the Delivery schedule message shall be identified. The identification of the recipient of the goods must be given in the NAD segment in the detail section.
- 0100 Segment group 3: RFF-DTM
A group of segments giving references relevant to the party.
- 0110 RFF, Reference
A segment giving references related to the party.
- 0120 DTM, Date/time/period
Date/time/period of the reference.
- 0130 Segment group 4: CTA-COM
A group of segments to identify person, function, or department and appropriate numbers to whom communication should be directed.
- 0140 CTA, Contact information
A segment to identify the person, function, or department to whom communication should be directed.
- 0150 COM, Communication contact
A segment identifying communication types and numbers for the person, function, or department identified in the CTA segment.
- 0160 Segment group 5: TDT-DTM
A group of segments specifying details of the mode and means of transport, and date/time/period relating to the whole message. This group of segments is used only when the requested mode and means of transport deviates from the norm.
- 0170 TDT, Details of transport
A segment specifying the carriage, and the mode and means of transport.

0180 DTM, Date/time/period
A segment indicating the date/time/period details relating to the TDT segment.

3.4.2 Detail section

Information to be provided in the Detail section:

- 0190 Segment group 6: GIS-SG7-SG12**
A group of segments providing details on delivery points and products and related information using one of both scheduling methods.
- 0200 GIS, General indicator**
A segment to indicate which method is used by the relevant processing indicator code.
- 0210 Segment group 7: NAD-LOC-FTX-SG8-SG9-SG10-SG11**
A group of segments needed to identify a delivery point and its attached information when the delivery point method is used.
- 0220 NAD, Name and address**
A segment for identifying the consignee.
- 0230 LOC, Place/location identification
A segment identifying a specific location at the consignee address (e.g. dock, gate,) to which product, as specified in the LIN-Segment groups, should be delivered.
- 0240 FTX, Free text
A segment with free text in coded or clear form to give further clarification when required. In computer-to-computer exchanges such text will normally require the receiver to process this segment manually.
- 0250 Segment group 8: RFF-DTM
A group of segments giving references relevant to the consignee.
- 0260 RFF, Reference
A segment giving references related to the consignee.
- 0270 DTM, Date/time/period
Date/time/period of the reference.
- 0280 Segment group 9: DOC-DTM
A group of segments providing information relating to documents required for the consignee.
- 0290 DOC, Document/message details
A segment describing the documents required for the specified consignee.
- 0300 DTM, Date/time/period
Date/time/period of documents required.
- 0310 Segment group 10: CTA-COM**
A group of segments to identify a person, function or department at the consignee and appropriate numbers to whom communication should be directed.
- 0320 CTA, Contact information**
A segment to identify the person, function, or department to whom communication should be directed.
- 0330 COM, Communication contact**
Communication types and numbers for the person, function, or department identified in CTA segment.
- 0340 Segment group 11: TDT-DTM
A group of segments specifying details of the mode and means of transport, and date and/or time of departure and destination relating to specified delivery point.
- 0350 TDT, Details of transport
A segment specifying the carriage, and the mode and means of transport.
- 0360 DTM, Date/time/period
A segment indicating the date/time/period details of departure or arrival relating to the TDT segment.

- 0370 Segment group 12: LIN-PIA-IMD-MEA-ALI-GIN-GIR-LOC-DTM-FTX-SG13-SG14-SG15SG17-SG20-SG22**
 A group of segments providing details of the individual line items for both methods.
- 0380 LIN, Line item**
 A segment identifying the details of the product or service to be delivered, e.g. product identification. All other segments in the detail section following the LIN segment refer to the line item.
- 0390 PIA, Additional product id
 A segment providing additional product identification.
- 0400 IMD, Item description**
 A segment for describing the product or the service to be delivered.
- 0410 MEA, Measurements
 A segment specifying physical measurements of the item to be delivered in original or unpacked form.
- 0420 ALI, Additional information
 A segment indicating that the line item is subject to special conditions due to origin, customs preference, or commercial factors.
- 0430 GIN, Goods identity number
 A segment providing identity numbers to be applied to the goods to be delivered, e.g. serial numbers.
- 0440 GIR, Related identification numbers
 A segment providing sets of related identification numbers for a line item, e.g. engine number, chassis number and transmission number for a vehicle.
- 0450 LOC, Place/location identification**
 A segment identifying a specific location to which products, as specified in the LIN-Segment group, should be placed after delivery. This function should only be used with the delivery point driven method.
- 0460 DTM, Date/time/period
 Date/time/period associated with the line item, such as the date of the engineering change.
- 0470 FTX, Free text
 A segment with free text in coded or clear form to give further clarification, when required, to the line item to be delivered.
- 0480 Segment group 13: RFF-DTM**
 A group of segments giving references related to the line item and where necessary, their dates.
- 0490 RFF, Reference**
 A segment for identifying references to the line item, e.g. a contract and its appropriate line item, original message number, previous message number if different per line item.
- 0500 DTM, Date/time/period
 Date/time/period of the reference.
- 0510 Segment group 14: TDT-DTM
 A group of segments specifying details of the mode and means of transport, and date/time/period related to the specified transport details.
- 0520 TDT, Details of transport
 A segment specifying the carriage, and the mode and means of transport of the goods for the specified location.
- 0530 DTM, Date/time/period
 A segment indicating the date/time/period details relating to the TDT segment.
- 0540 Segment group 15: QTY-DTM-SG16**
 A group of segments specifying product quantities and associated dates not related to schedules and where relevant, references.
- 0550 QTY, Quantity**
 A segment to specify pertinent quantities not related to schedule(s) e.g. cumulative quantity, last quantity considered.
- 0560 DTM, Date/time/period**
 A segment indicating the date/time/period details relating to the quantity.
- 0570 Segment group 16: RFF-DTM**
 A group of segments giving references related to the quantity and where necessary, their date.

- 0580 RFF, Reference**
A segment for identifying reference to the quantity, e.g. despatch advice number.
- 0590 DTM, Date/time/period**
Date/time/period of the reference.
- 0600 Segment group 17: SCC-SG18**
A group of segments specifying the schedule information for the product identified in the LIN segment. With the delivery point driven method this segment group provides the schedule for the identified delivery point and product.
- 0610 SCC, Scheduling conditions**
A segment specifying the status of the schedule. Optionally a delivery pattern can be established, e.g. firm or proposed delivery pattern.
- 0620 Segment group 18: QTY-DTM-SG19**
A group of segments specifying product quantities and associated dates.
- 0630 QTY, Quantity**
A segment to specify scheduled quantities which may be related to schedule(s) and, or pattern established in the following DTM segment, e.g. delivery quantity for a specified date.
- 0640 DTM, Date/time/period**
A segment indicating date/time/period details relating to the given quantity.
- 0650 Segment group 19: RFF-DTM
A group of segments for specifying references associated with the given schedule's quantity and date and where necessary the reference dates.
- 0660 RFF, Reference
A segment to provide reference for the given schedule's quantity and date.
- 0670 DTM, Date/time/period
Date/time/period of the reference.
- 0680 Segment group 20: PAC-MEA-QTY-DTM-SG21
A group of segments identifying the packaging, physical dimensions, and marks and numbers for goods referenced in the line item to be delivered.
- 0690 PAC, Package
A segment specifying the number of package units and the type of packaging for the line item, e.g. pallet.
- 0700 MEA, Measurements
A segment specifying physical measurements of packages described in the PAC segment, e.g. pallet dimensions.
- 0710 QTY, Quantity
A segment to specify pertinent quantities relating to the physical units (packages) described in the PAC segment.
- 0720 DTM, Date/time/period
A segment specifying date/time/period details relating to the physical units (packages) described in the PAC segment, e.g. packaging specification date.
- 0730 Segment group 21: PCI-GIN
A group of segments identifying markings and labels and if relevant package numbers.
- 0740 PCI, Package identification
A segment specifying markings and labels used on individual physical units (packages) described in the PAC segment.
- 0750 GIN, Goods identity number
A segment providing identity numbers to be applied to the packages to be delivered.
- 0760 Segment group 22: NAD-LOC-FTX-SG23-SG24-SG25-SG27-SG30
A group of segments providing details of the individual delivery points for the given product.
- 0770 NAD, Name and address
A segment for identifying names and addresses relevant to the delivery point.
- 0780 LOC, Place/location identification
A segment identifying a specific location at the address (e.g. dock, gate,).

- 0790 FTX, Free text
A segment with free text in coded or clear form to give further clarification when required.
- 0800 Segment group 23: DOC-DTM
A group of segments providing information relating to documents required for the delivery point.
- 0810 DOC, Document/message details
A segment providing information relating to the documents required for specified delivery points.
- 0820 DTM, Date/time/period
Date/time/period of documents required.
- 0830 Segment group 24: CTA-COM
A group of segments to identify a person, function or department and appropriate numbers to whom communication should be directed. The information specified in this group is related to the delivery point.
- 0840 CTA, Contact information
A segment to identify the person, function, or department to whom communication should be directed.
- 0850 COM, Communication contact
A segment to identify communication types and numbers for the person, function, or department identified in CTA segment.
- 0860 Segment group 25: QTY-DTM-SG26
A group of segments specifying product quantities and associated dates and where relevant, references relating to the delivery point.
- 0870 QTY, Quantity
A segment to specify pertinent quantities not related to schedule(s) e.g. cumulative quantity, last quantity considered.
- 0880 DTM, Date/time/period
A segment indicating the date/time/period details relating to the given quantity.
- 0890 Segment group 26: RFF-DTM
A group of segments giving references related to the quantity and where necessary, their dates.
- 0900 RFF, Reference
A segment for identifying references to the quantity, e.g. despatch advice number.
- 0910 DTM, Date/time/period
Date/time/period of the reference.
- 0920 Segment group 27: SCC-SG28
A group of segments specifying scheduling information detailing quantities and date for the given delivery point. This segment group also specifies references and their associated dates related to the schedule as required for the delivery point.
- 0930 SCC, Scheduling conditions
A segment specifying the status of the schedule. Optionally a delivery pattern can be established, e.g. firm or proposed delivery schedule for a weekly pattern.
- 0940 Segment group 28: QTY-DTM-SG29
A group of segments specifying product quantities and associated dates.
- 0950 QTY, Quantity
A segment to specify pertinent quantities, which may relate to schedule(s) and/or pattern established in the SCC segment, e.g. delivery quantity for a specified date.
- 0960 DTM, Date/time/period
A segment indicating the date/time/period details relating to the given quantity.
- 0970 Segment group 29: RFF-DTM
A group of segments for specifying references associated with the given schedule and delivery point and where necessary their dates.
- 0980 RFF, Reference
A segment to provide references for the given schedules and dates.
- 0990 DTM, Date/time/period
Date/time/period of the reference.
- 1000 Segment group 30: TDT-DTM

A group of segments specifying details of the mode and means of transport, and date/time/period relating to the delivery point.

1010 TDT, Details of transport

A segment specifying the carriage, and the mode and means of transport of the goods for the delivery point.

1020 DTM, Date/time/period

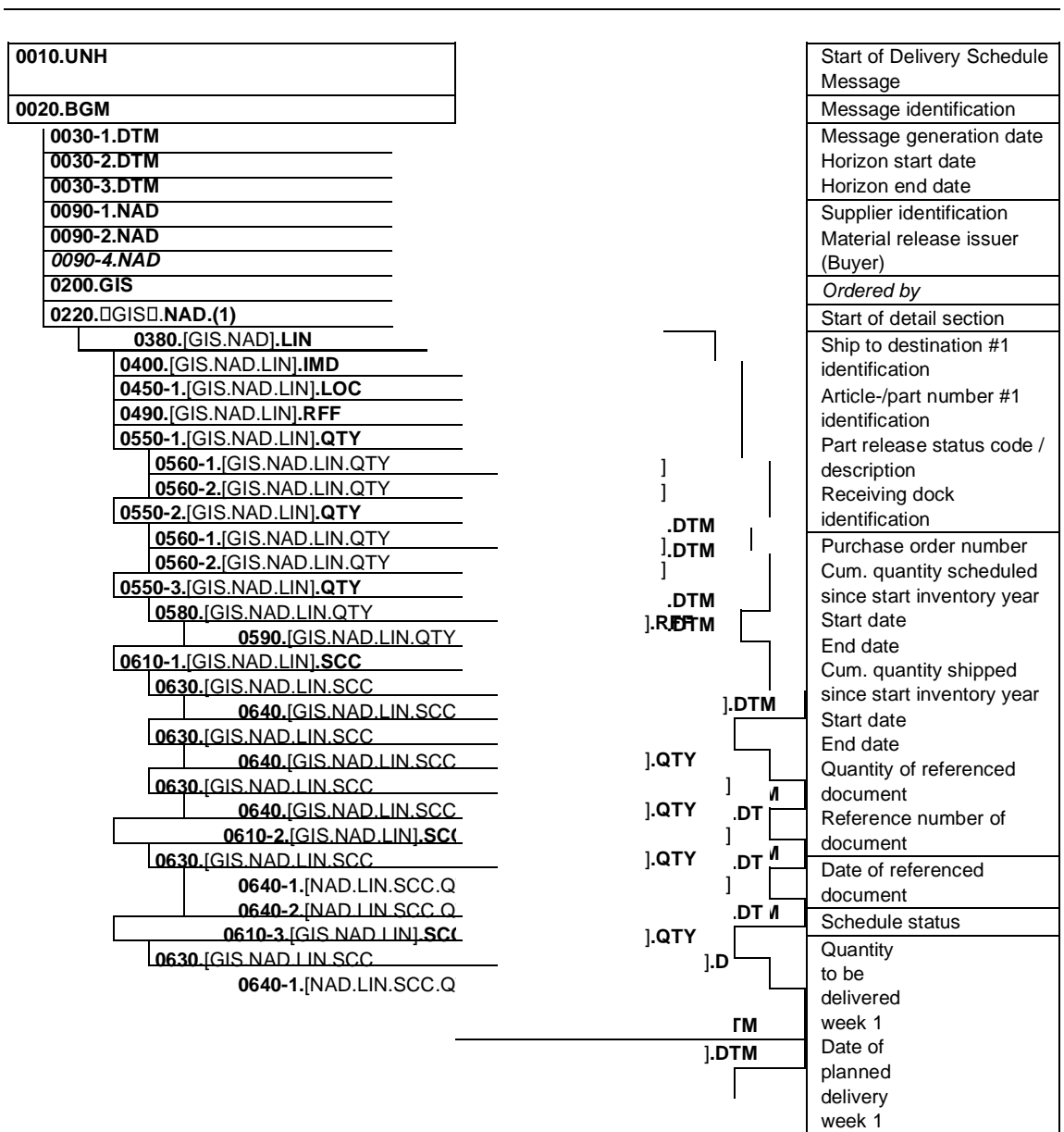
A segment indicating the date/time/period relating to the TDT segment.

1030 UNT, Message trailer

A service segment ending a message, giving the total number of segments in the message and the control reference number of the message.

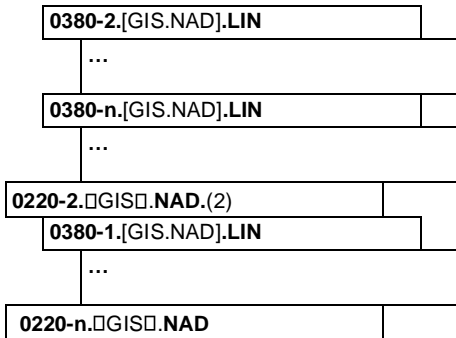
3.5. MESSAGE STRUCTURE

The message structure illustrates how the segments will be repeated in the Delivery Forecast message to accommodate the requirements identified by Nexteer.

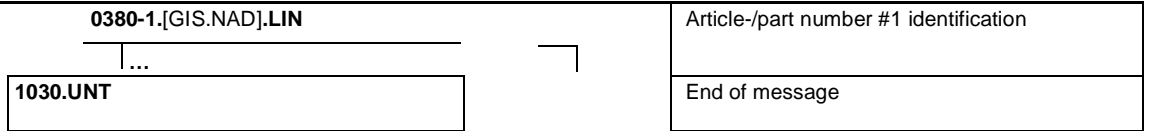


].DTM].QTY	Quantity to be delivered week 2 Date of planned delivery week 2
		Quantity to be delivered week n Date of planned delivery week n
		Authorisation code
		Cumulative fabrication authorisation Start date End date
		Authorisation code
		Cumulative material authorisation Start date End date

0640-2.[NAD.LIN.SCC.QTY].DTM



Article-/part number #2 identification
Article-/part number #n identification
Ship to destination #2 identification
Article-/part number #1 identification
Ship to destination #n identification



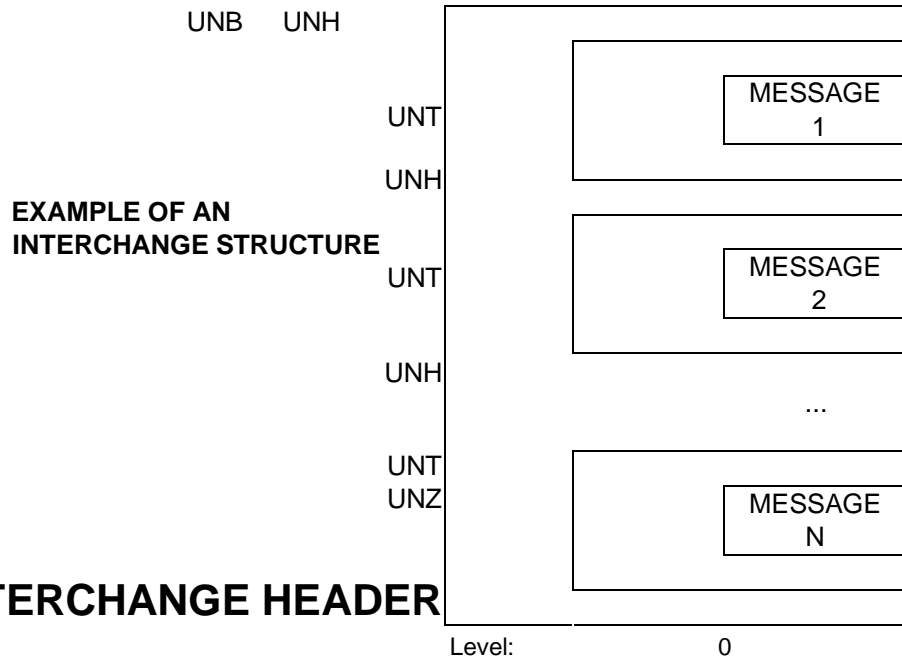
3.6. SERVICE SEGMENTS DESCRIPTION

Following service segments are as defined by UN/EDIFACT and presented under ISO 9735.

The UNB, UNH, UNT and UNZ segments are the envelope of any message, enclosing all the data that is being transmitted.

The UNB (Interchange header) and UNZ (Interchange trailer) segments mark respectively the beginning and the end of an interchange thereby providing a unique interchange control reference.

Within the interchange the UNH (message header) and UNT (Message trailer) segments uniquely begin and end the various messages contained in an interchange.



0000 UNB INTERCHANGE HEADER

Segment Group: none

EDIFACT status: mandatory

Nexteer status:

Maximum use: 1 per interchange

Nexteer occurrences: 1 per interchange

Function service segment providing the unique identification of an interchange. It allows the identification of the sender and the receiver of the interchange, gives date and time of preparation as well as the interchange control reference and the application reference. Nexteer interchange: see remarks.

Example: **UNB+UNOA:2+NEXTEERMX:ZZ+41933707YK:ZZ+150616:0338+221**
 A B C D E F G

EDIFACT STANDARD DEFINITION						Nexteer IMPLEMENTATION		
REF	TAG	NAME	ST	FT	SP	ST	FT	REMARKS
A	S001	<i>SYNTAX IDENTIFIER</i>	M			M		"UNOA". Indication of the syntax version used for this message.
	0001	Syntax identifier	M	a4	:	M	a4	
B	0002	Syntax version number	M	n1	+	M	n1	
C	S002	<i>INTERCHANGE SENDER</i>	M			M		Communication code/mailbox number of the party originating the message.
	0004	Sender identification	M	an..35	:	M	an..35	
	0007	Identification code qualifier	C	an..4	:			
	0008	Address for Reverse Routing	C	an..14	+			
D	S003	<i>INTERCHANGE RECIPIENT</i>	M			M		Communication code/mailbox number of the party receiving the message.
	0010	Recipient identification	M	an..35	:	M	an..35	
	0007	Identification code qualifier	C	an..4	:			
	0014	Routing address	C	an..14	+			
E	S004	<i>DATE / TIME OF PREPARATION</i>	M			M		YYMMDD format HHMM format
	0017	Date of preparation	M	n6	:	M	n6	
F	0019	Time of preparation	M	n4	+	M	n4	
G	0020	INTERCHANGE CONTROL REFERENCE	M	an..14	+	M	an..14	The ICR number is UNIQUE and should be sequential.
	S005	<i>RECIPIENTS REFERENCE PASSWORD</i>	C					
	0022	Recipient's reference / password	M	an..14	:			
	0025	Recipient's reference / password qualifier	C	an2	+			
	0026	APPLICATION REFERENCE	C	an..14	+	C	an..14	
	0029	PROCESSING PRIORITY CODE	C	a1	+			
	0031	ACKNOWLEDGEMENT REQUEST	C	n1	+			

mandatory

0032	COMMUNICATIONS AGREEMENT ID	C	an..35	+				
0035	TEST INDICATOR	C	n1	'	C	n1	Will be sent during testing	

Note: Century is not used in tag 0017, 0019

0010 UNH MESSAGE HEADER

Segment group: none
 EDIFACT status: mandatory.
 Maximum use: 1 per message.
 Function: service segment starting and uniquely identifying a message. The message type code for the Delivery schedule message is DELFOR. Nexteer interchange: see remarks.

Level: 0
 Nexteer status: mandatory.
 Nexteer occurrences: 1 per message.

Example: **UNH+22100001+DELFOR:D:97A:UN**
 A B C D E

EDIFACT STANDARD DEFINITION						Nexteer IMPLEMENTATION		
A	0062	MESSAGE REFERENCE NUMBER	M	an..14	+	M	an..14	Message Control number assigned by the sender to the message. See comments below.
	S009	<i>MESSAGE IDENTIFIER</i>	M			M		
B	0065	Message type	M	an..6	:	M	an..6	"DELFOR".
C	0052	Message version number	M	an..3	:	M	an..3	"D".
D	0054	Message release number	M	an..3	:	M	an..3	"97A".
E	0051	Controlling agency	M	an..2	:	M	an..2	"UN".
	0057	Association assigned code	C	an..6	+			
	0068	COMMON ACCESS REFERENCE	C	an..35	+			
	S010	<i>STATUS OF TRANSFER</i>	C					
	0070	Sequence of transfer	M	n..2	:			
	0073	First and last transfer	C	a1	'			

COMMENTS

0062 - Message Reference Number

-

The Message Reference number used by Nexteer is structured as follows:

First message: 1
 Second message: 2
 Up to: 9999

1030 UNT MESSAGE TRAILER

Segment group: none Level: 0
 EDIFACT status: mandatory Nexteer status:
 Maximum use: 1 per message Nexteer occurrences: 1 per message
 Function: service segment ending a message, giving the total number of segments in the message and the control reference number of the message. Nexteer interchange: see remarks.

Example: **UNT+65+1'**
 A B

EDIFACT STANDARD DEFINITION					Nexteer IMPLEMENTATION			
A	0074	NUMBER OF SEGMENTS IN THE MESSAGE	M	n..6	M	n..6	Control count of the number of segments in the message, including UNH and UNT.	
B	0062	MESSAGE REFERENCE NUMBER	M	an..14	M	an..14	Number must be identical to UNH - tag 0062	

1040 UNZ - INTERCHANGE TRAILER

Segment Group: none Level: 0
 EDIFACT status: mandatory Nexteer status: mandatory
 Maximum use: 1 Nexteer occurrences: 1 per interchange
 Function: service segment ending an interchange and giving the number of messages contained in the interchange as well as the Interchange Control Reference number. Nexteer interchange: see remarks.

Example: **UNZ+1+242'**
 A B

-

mandatory

EDIFACT STANDARD DEFINITION						Nexteer IMPLEMENTATION		
A	0036	INTERCHANGE CONTROL COUNT	M	n..6	+	M	n..6	Number of messages in an interchange.
B	0020	INTERCHANGE CONTROL REFERENCE	M	an..14	'	M	an..14	Value must be the same as 0020 - Interchange Control Reference in UNB.

3.7. DATA SEGMENTS DESCRIPTION

This part includes only the segments defined in the standard and used in the subset exchanged between Nexteer and its Trading Partners. The segments are described in the same sequence as they appear in the message.

0020 NEXTEER- BEGINNING OF MESSAGE

Segment group: none Level: 1
 EDIFACT status: mandatory Nexteer status: mandatory
 Maximum use: 1 per message Nexteer occurrences: 1 per message
 Function: segment for the unique identification of the delivery schedule document, by means of its name and its number. Nexteer interchange: see remarks.

Example: **BGM+241+20150615-002+9**
 A B C

EDIFACT STANDARD DEFINITION						Nexteer IMPLEMENTATION		
REF	TAG	NAME	ST	FT	SP	ST	FT	REMARKS
A	C002	DOCUMENT/MESSAGE NAME	C			C		"241" = Delivery Schedule. This means that the quantities must be planned for shipment during the week indicated. Actual shipping authorization will be provided by a DELJIT message.
	1001	Document/message name, coded	C	an..3	:	M	an..3	
	1131	Code list qualifier	C	an..3				
	3055	Code list responsible agency, coded	C	an..3	:			
	1000	Document/message name	C	an..35	+			
B	C106	DOCUMENT/MESSAGE IDENTIFICATION	C					Nexteer assigned release number.
	1004	Document/message number	C	an..35	:	M	an..35	
	1056	Version	C	an..9	:			
C	1060	Revision number	C	an..6	+			Function of the message. For code value see below.
	1225	MESSAGE FUNCTION, CODED	C	an..3	+	M	an..3	
	4343	RESPONSE TYPE, CODED	C	an..3	'			

CODE VALUES

1225 - Message Function, coded	
5	Replace This schedule replaces the previous schedule.
9	Original

0030 DTM - DATE/TIME/PERIOD

Segment group: none Level: 1
 EDIFACT status: mandatory Nexteer status:
 Maximum use: 10 per message at level 1 Nexteer occurrences: max. 3 per message

mandatory

Function: segment specifying the date, and when relevant, the time/period of the beginning and ending of the validity period of the document. The DTM must be specified at least once to identify the Delivery Schedule document date.

Nexteer interchange: there may be up to 2 occurrences of DTM in position 0030: one to specify the horizon start date and one for the horizon end date.

Example: **DTM+158:20150101:102** Document generation
DTM+159:20160606:102 Horizon start
DTM+137:201506152135:203 Horizon end
 A B C

EDIFACT STANDARD DEFINITION						Nexteer IMPLEMENTATION		
REF	TAG	NAME	ST	FT	SP	ST	FT	REMARKS

Document Generation date. Mandatory: Always transmitted

	C507	DATE/TIME/PERIOD	M			M		
A	2005	Date/time/period qualifier	M	an..3	:	M	an..3	"137" = Document message date/time.
B	2380	Date/time/period	C	an..35	:	M	an..35	Actual issue date/time of the document.
C	2379	Date/time/period format qualifier	C	an..3	'	M	an..3	"203" = CCYYMMDDHHMM.

Horizon start date. Mandatory: Always transmitted

	C507	DATE/TIME/PERIOD	M			M		
A	2005	Date/time/period qualifier	M	an..3	:	M	an..3	"158" = Horizon start date.
B	2380	Date/time/period	C	an..35	:	M	an..35	Start date of planning horizon.
C	2379	Date/time/period format qualifier	C	an..3	'	M	an..3	"102" = CCYYMMDD.

Horizon end date. Mandatory: Always transmitted

	C507	DATE/TIME/PERIOD	M			M		
A	2005	Date/time/period qualifier	M	an..3	:	M	an..3	"159" = Horizon end date.
B	2380	Date/time/period	C	an..35	:	M	an..35	End date of planning horizon.
C	2379	Date/time/period format qualifier	C	an..3	'	M	an..3	"102" = CCYYMMDD.

Segment group 2: NAD-SG3-SG4

Segment group: 2 [SG2] Level: 1
 EDIFACT status: conditional Nexteer status: mandatory
 Maximum use: 99 per message at level 1 Nexteer occurrences: max. 4 per message
 Function: group of segments identifying names, addresses, locations, and contacts relevant to the whole Delivery Schedule.
 Nexteer interchange: see segment description.

0090 NAD - NAME AND ADDRESS

Segment group: 2 [NAD] Level: 1
 EDIFACT status: mandatory if segment group 2 is used Nexteer status: mandatory
 Maximum use: 1 per segment group 2 (max. 99) Nexteer occurrences: 1 per segment group 2

Function: segment for identifying names and addresses and their functions relevant for the whole Delivery Schedule.
 Identification of the seller and buyer parties is recommended for the Delivery Schedule message.
 Exception: the identification of the recipient of the goods must be given in the detail section.

Nexteer interchange: the message may contain maximum 4 NAD's in position 0060 as detailed below. Nexteer will always transmit 3 occurrences.

Example: **NAD+MI+005356878::16'** Material issuer (DUNS)
NAD+SU+999123456::16++SUPPLIER NAME' Supplier
NAD+SF+999654321::16' Ship From
 A B C D

EDIFACT STANDARD DEFINITION	Nexteer IMPLEMENTATION
-----------------------------	------------------------

Supplier		Mandatory: always transmitted						
A	3035	PARTY QUALIFIER	M	an..3	+	M	an..3	SU = Supplier.
B	C082	<i>PARTY IDENTIFICATION DETAILS</i>	C			M		
	3039	Party id. Identification	M	an..35	:	M	an..35	Code identifying the issuer of the planning schedule. For code values see below.
	1131	Code list qualifier	C	an..3	:			
C	3055	Code list responsible agency, coded	C	an..3	+	M	an..3	For code value see below.
	C058	<i>NAME AND ADDRESS</i>	C					
	3124	Name and address line	M	an..35	:			
	3124	Name and address line	C	an..35	:			
	3124	Name and address line	C	an..35	:			
	3124	Name and address line	C	an..35	:			
	3124	Name and address line	C	an..35	+			
D	C080	<i>PARTY NAME</i>	C			C		
	3036	Party name	M	an..35	:	M	an..35	Name of the party. Not always transmitted.
	3036	Party name	C	an..35	:			
	3036	Party name	C	an..35	:			
	3036	Party name	C	an..35	:			
	3036	Party name	C	an..35	:			
	3045	Party name format, coded	C	an..3	+			
	C059	<i>STREET</i>	C					
	3042	Street and number/P.O. box	M	an..35	:			
	3042	Street and number/P.O.. box	C	an..35	:			
	3042	Street and number/P.O.. box	C	an..35	:			
	3042	Street and number/P.O.. box	C	an..35	+			
	3164	CITY NAME	C	an..35	+			
	3229	COUNTRY SUB-ENTITY IDENTIFICATION	C	an..9	+			
	3251	POSTCODE IDENTIFICATION	C	an..9	+			
	3207	COUNTRY, CODED	C	an..3	"			

0090 NAD - CONTINUED

Planning schedule/material release issuer (buyer).

Mandatory: always transmitted

A	3035	PARTY QUALIFIER	M	an..3	+	M	an..3	"MI" = Material issuer.
	C082	PARTY IDENTIFICATION DETAILS	C			M		
B	3039	Party id. Identification	M	an..35	:	M	an..35	Code identifying the supplier.
	1131	Code list qualifier	C	an..3	:			
C	3055	Code list responsible agency, coded	C	an..3	+	M	an..3	For code value see below.
	C058	NAME AND ADDRESS	C					
	C080	PARTY NAME	C			C		
D	3036	Party name	M	an..35	:	M	an..35	Name of the party. Not always transmitted.
REST OF SEGMENT NOT USED.								

Ship From location

Optional: not always transmitted

A	3035	PARTY QUALIFIER	M	an..3	+	M	an..3	"SF" = Ship From.
	C082	PARTY IDENTIFICATION DETAILS	C			M		
B	3039	Party id. Identification	M	an..35	:	M	an..35	Code identifying the ship from location.
	1131	Code list qualifier	C	an..3	:			
C	3055	Code list responsible agency, coded	C	an..3	+	M	an..3	For code value see below.
	C058	NAME AND ADDRESS	C					
	C080	PARTY NAME	C			C		
D	3036	Party name	M	an..35	:	M	an..35	Name of the party. Not always transmitted.
REST OF SEGMENT NOT USED.								

CODE VALUES

3039 - Party Id. Identification

Individual notification by the implementation plant **Material**

Issuer DUNS:

US = **005356878 Mexico**

265 = 812392157

266 = 812563302

268 = 812138881

NOTE: The SU value for our Mexico locations, will be the PO/Home Office DUNS only.

3055 - Code List Responsible Agency, coded

16 DUN & Bradstreet (DUNS) - (currently used by Nexteer with 9 digits)

92 Assigned by buyer

Segment group 6: GIS-SG7-SG12

Segment group: 6 [SG6]

EDIFACT status: conditional

Level: 1

Nexteer status: conditional

Maximum use: 9999 per message Nexteer occurrences: max. 9999 per message
 Function: group of segments providing details on delivery points and products and related information using one of both scheduling methods. Nexteer interchange: see segment description.
 Conditional on existence of general indicator

0200 GIS - GENERAL INDICATOR

Segment group: 6 [GIS] Level: 1
 EDIFACT status: mandatory if segment group 6 is used Nexteer status: mandatory
 Maximum use: 1 per segment group 6 Nexteer occurrences: 1 per segment group 6
 Function: segment to indicate which method is used by the relevant processing indicator code.
 Nexteer interchange: see remarks.
 Example: GIS+37'
 A

EDIFACT STANDARD DEFINITION						Nexteer IMPLEMENTATION		
REF	TAG	NAME	ST	FT	SP	ST	FT	REMARKS
A	C529	PROCESSING INDICATOR	M			M		
	7365	Processing indicator, coded Code	M	an..3	:	M	an..3	For code value see below.
	1131	list qualifier	C	an..3	:			
	3055	Code list responsible agency, coded	C	an..3				
	7187	Process type identification	C	an..17	'			

CODE VALUES

7365 - Processing indicator, coded
37 Complete information

Segment group 7: NAD-LOC-FTX-SG8-SG9-SG10-SG11

Segment group: 7 [GIS.SG7] Level: 2
 EDIFACT status: conditional Nexteer status: conditional
 Maximum use: 1 per segment group 6 Nexteer occurrences: 1 per segment group 6
 Function: group of segments needed to identify a delivery point and its attached information when the delivery point method is used
 Nexteer interchange: see segment description.
 Conditional on use of SG6

0220 NAD - NAME AND ADDRESS

Segment group: 7 [GIS.NAD] Level: 2
 EDIFACT status: mandatory if segment group 7 is used Nexteer status: mandatory
 Maximum use: 1 per segment group 7 Nexteer occurrences: 1 per segment group 7
 Function: segment for identifying names and addresses and their functions relevant to the delivery point. All other segments in this segment group 7 following the NAD segment refer to that delivery point. Nexteer interchange: see remarks.
 Example: NAD+ST+268::16++STEERINGMEX DE RL DE CV - PLANT 68
 A B C D

EDIFACT STANDARD DEFINITION						Nexteer IMPLEMENTATION		
REF	TAG	NAME	ST	FT	SP	ST	FT	REMARKS
A	3035	PARTY QUALIFIER	M	an..3	+	M	an..3	"ST" = Ship To.
	C082	<i>PARTY IDENTIFICATION DETAILS</i>	C			M		
B	3039	Party id. Identification	M	an..35	:	M	an..35	Code identifying the plant where the material must be delivered. For code value see below.
	1131	Code list qualifier	C	an..3	:			
C	3055	Code list responsible agency, coded	C	an..3	+	M	an..3	For code value see below.
	C058	<i>NAME AND ADDRESS</i>	C					
	3124	Name and address line	M	an..35	:			
	3124	Name and address line	C	an..35	+			
	C080	<i>PARTY NAME</i>	C			C		
D	3036	Party name	M	an..35	:	M	an..35	Name of the party.
	3036	Party name	C	an..35	:			
	3036	Party name	C	an..35	:			
	3045	Party name format, coded	C	an..3	+			
	C059	<i>STREET</i>	C					
	3042	Street and number/P.O.. box	M	an..35	:			
	3042	Street and number/P.O.. box	C	an..35	+			
	3164	CITY NAME	C	an..35	+			
	3229	COUNTRY SUB-ENTITY IDENTIFICATION	C	an..9	+			
	3251	POSTCODE IDENTIFICATION	C	an..9	+			
	3207	COUNTRY, CODED	C	an..3	"			

CODE VALUES

3039 - Party Id. Identification

Will contain a vendor or customer number (max. of 16 characters). The corresponding delivery address can be obtained from your Nexteer Supplier contract.

3055 - Code List Responsible Agency, coded

- 16 DUN & Bradstreet (DUNS)
- 92 Assigned by buyer - should be this in above example for Mexico

Segment group 10: CTA-COM

Segment group: 10 [SEQ.LIN.LOC.SG10] Level: 4
 EDIFACT status: conditional Nexteer status: conditional
 Maximum use: 5 per LOC in segment group 9 Nexteer occurrences: 1 per preceding LOC
 Function: group of segments to identify person, function, department and appropriate numbers to whom communication should be directed.
 Nexteer interchange: CTA-COM group will be used only for contact information on Nexteer material planner. See segment description.

0320 CTA - CONTACT INFORMATION

Segment group: 10 [SEQ.LIN.LOC.CTA] Level: 4
 EDIFACT status: mandatory if segment group 10 is used Nexteer status: mandatory
 Maximum use: 1 per segment group 10 (max. 5 per LOC) Nexteer occurrences: 1 per segment group 10
 Function: segment to identify person, function, and department to whom communication should be directed.
 Nexteer interchange: see remarks.

Example: **CTA+IC+:JOE EDI'**
 A C

EDIFACT STANDARD DEFINITION						Nexteer IMPLEMENTATION		
REF	TAG	NAME	ST	FT	SP	ST	FT	REMARKS
A	3139	CONTACT FUNCTION, CODED	C	an..3	+	C	an..3	"IC" = Information contact.
	C056	DEPT OR EMPLOYEE DETAILS	C			C		
B	3413	Department or employee identification	C	an..17	:	C	an..17	Code of the party, described in Data Element 3412. Will be email address
C	3412	Department or employee	C	an..35	'	C	an..35	Name of the Contact Party.

0330 COM - COMMUNICATION CONTACT

Segment group: 10 [SEQ.LIN.LOC.CTA.COM] Level: 5
 EDIFACT status: conditional Nexteer status: conditional
 Maximum use: 5 per CTA in segment group 10 Nexteer occurrences: max. 3 per CTA
 Function: segment to identify communication types and numbers for person, function, department identified in CTA.
 Nexteer interchange: see remarks.

Example: **COM+9897575544:TE'**
 COM+john.smith.nexteer.com:EM'
 A B

EDIFACT STANDARD DEFINITION						Nexteer IMPLEMENTATION		
REF	TAG	NAME	ST	FT	SP	ST	FT	REMARKS
	C076	COMMUNICATION CONTACT	M			M		
A	3148	Communication number	M	an..512	:	M	an..512	Communication number for the communication means identified in 3155 and to be used in connection with the Information contact identified in the CTA.
B	3155	Communication number qualifier	C	an..3	'	M	an..3	Identification of the communication means. For code value see below.

CODE VALUES

3155 - Communication number, qualifier

TE Telephone. EM E-Mail

Segment group 12: LIN-PIA-IMD-MEA-ALI-GIN-GIR-LOC-DTMFTX-SG13-SG14-SG15-SG17-SG20-SG22

Segment group: 12 [GIS.SG12] Level: 2
 EDIFACT status: conditional Nexteer status: conditional
 Maximum use: 9999 per GIS in segment group 06 Nexteer occurrences: max. 9999 per SG6
 Function: group of segments providing details of the individual line items for the specified delivery point. Nexteer interchange: see segment description.
 Conditional on use of SG6 segment

0380 LIN - LINE ITEM

Segment group: 12 [GIS.LIN] Level: 2
 EDIFACT status: mandatory if segment group 12 is used Nexteer status: mandatory
 Maximum use: 1 per segment group 12 (max. 9999 per GIS) Nexteer occurrences: 1 per segment group 12
 Function: segment identifying the details of the product or service to be delivered, e.g. product identification. All other segments in the detail section following the LIN segment refer to the line item. Nexteer interchange: see remarks.
 Example: **LIN+++26133861:IN** Nexteer part number
 A B

EDIFACT STANDARD DEFINITION				Nexteer IMPLEMENTATION			
	1082	LINE ITEM NUMBER	C	n..6	+		
	1229	ACTION REQUEST/ NOTIFICATION, CODED	C	an..3	+		
A	C212	ITEM NUMBER IDENTIFICATION	C			M	
	7140	Item number	C	an..35	:	M	an..35
B	7143	Item number type, coded	C	an..3	:	M	an..3
	1131	Code list qualifier	C	an..3	:		
	3055	Code list responsible agency, coded	C	an..3	+		
	C829	SUB-LINE INFORMATION	C				
	5495	Sub-line indicator, coded	C	an..3	:		
	1082	Line item number	C	an..6	+		
	1222	CONFIGURATION LEVEL	C	n..2	+		
	7083	CONFIGURATION, CODED	C	an..3	'		

0400 IMD - ITEM DESCRIPTION

EDI IMS IMPLEMENTATION GUIDELINES FOR Nexteer

EDIFACT DELFOR / Delivery Forecast

Segment group: 12 [GIS.LIN.IMD] Level: 3
 EDIFACT status: conditional Nexteer status: conditional
 Maximum use: 10 per LIN in segment group 12 Nexteer occurrences: 1 per segment group 12
 Function: segment for describing the product or the service to be delivered.
 Nexteer interchange: see remarks.
 Conditional on need for item description

Example: **IMD+++:::RETAINER, STRG SHAFT**
 A

EDIFACT STANDARD DEFINITION					Nexteer IMPLEMENTATION			
A	7077	ITEM DESCRIPTION TYPE, CODED	C	an..3	+			
	7081	ITEM CHARACTERISTIC, CODED	C	an..3	+			
	C273	<i>ITEM DESCRIPTION</i>	C					
	7009	Item description identification Code	C	an..17	:			
	1131	list qualifier	C	an..3	:			
	3055	Code list responsible agency, coded	C	an..3	:			
	7008	Item description	C	an..35	:	C	an..35	Clear text description of the part defined in the preceding LIN.
	7008	Item description	C		:			
	3453	Language, coded	C	an..3	+			
7383	SURFACE/LAYER INDICATOR, CODED	C	an..3	'				

0450 LOC - PLACE/LOCATION IDENTIFICATION

Segment group: 12 [GIS.LIN.LOC] Level: 3
 EDIFACT status: conditional Nexteer status: conditional
 Maximum use: 999 per LIN in segment group 12 Nexteer occurrences: max. 2 per segment group 12
 Function: segment identifying a specific location to which products, as specified in the LIN-Segment group, should be delivered.
 Example: **LOC+11+268** Receiving dock
 LOC+159+0001' Material handling code
 A B

EDIFACT STANDARD DEFINITION						Nexteer IMPLEMENTATION		
REF	TAG	NAME	ST	FT	SP	ST	FT	REMARKS
Receiving dock identification.						Mandatory: always transmitted		
A	3227	PLACE/LOCATION QUALIFIER	M	an..3	+	M	an..3	"11" = Place/port of discharge.
	C517	LOCATION IDENTIFICATION	C			C		
B	3225	Place/location identification Code	C	an..25	:	C	an..25	Code identifying the receiving dock at the plant.
	1131	list qualifier	C	an..3	:			
	3055	Code list responsible agency, coded	C	an..3	:			
	3224	Place/location	C	an..70	+			
Line feed location identification / Material Handling Code.						Optional		
A	3227	PLACE/LOCATION QUALIFIER	M	an..3	+	M	an..3	"159" = Additional internal destination.
	C517	LOCATION IDENTIFICATION	C			C		
B	3225	Place/location identification	C	an..25	:	C	an..25	Code identifying either the assembly line feed location at the plant or the material handling code.
	1131	Code list qualifier	C	an..3	:			
	3055	Code list responsible agency, coded	C	an..3	:			
	3224	Place/location	C	an..70	+			

Segment group 13: RFF-DTM

Segment group: 13 [GIS.LIN.SG13] Level: 3
 EDIFACT status: conditional Nexteer status: conditional
 Maximum use: 10 per LIN in segment group 12 Nexteer occurrences: 1 per segment group 12
 Function: group of segments giving references related to the line item and where necessary, their dates. Nexteer interchange: see segment description.
 Conditional on use of SG12

0490 RFF - REFERENCE

Segment group: 13 [GIS.LIN.RFF] Level: 3
 EDIFACT status: mandatory if segment group 13 is used Nexteer status: mandatory
 Maximum use: 1 per segment group 13 (max. 10) Nexteer occurrences: 1 per segment group 13
 Function: segment for identifying documents relating to the line item, e.g. a contract and its appropriate line item.
 Nexteer interchange: see remarks.
 Example: **RFF+ON:90112345'**
 A B

EDIFACT STANDARD DEFINITION						Nexteer IMPLEMENTATION		
REF	TAG	NAME	ST	FT	SP	ST	FT	REMARKS
	C506	REFERENCE	M			M		
A	1153	Reference qualifier	M	an..3	:	M	an..3	Identification of the communication means. For code value see below.
B	1154	Reference number	C	an..35	:	C	an..35	Number of the Purchase Order (Scheduling Agreement) relevant for the article defined in the preceding LIN.
	1156	Line number	C	an..6	:	C	an..6	Item Line Number on the Purchase Order – Mexico Delfors only
	4000	Reference version number	C	an..35	:			

CODE VALUES

1153 - Communication number, qualifier

ON Order Number

Use of segment groups 15 and 17 in message from Nexteer

Segment groups 15 and 17 are used to provide 6 different kinds of quantity information, i.e.:

CALCULATION INFORMATION

cumulative quantity required [qualifier 6063 = 79/3] SG16

REQUIREMENTS INFORMATION

quantity to be shipped [qualifier 6063 = 1] SG17

AUTHORISATION INFORMATION

cumulative fabrication authorisation [qualifier 6063 = 3] SG17

cumulative material authorisation [qualifier 6063 = 3] SG17

Each use of segment group 15 and 17 is described separately in the following pages.

CALCULATION INFORMATION

Segment group 15: QTY-DTM-SG16

Segment group: 15 [GIS.LIN.SG15] Level: 3
 EDIFACT status: conditional Nexteer status: conditional
 Maximum use: 10 per LIN in segment group 12 Nexteer occurrences: max. 10 per segment group 12

Function: group of segments specifying product quantities and associated dates not related to schedules and where relevant references.

Nexteer interchange: see description of different occurrences of segment group 15.

SEGMENT GROUP 15
CUMULATIVE QUANTITY REQUIRED

0550.[GIS.LIN].QTY	Cumulative quantity required since start of inventory year	
0560.[GIS.LIN.QTY.DTM		Cumulative calculation period start date
0560.[GIS.LIN.QTY].DTM		Cumulative calculation period end date

0550 QTY - QUANTITY

Segment group: 15 [QTY.DTM.SG16] Level: 4
 EDIFACT status: mandatory if segment group 16 is used Nexteer status: mandatory
 Maximum use: 1 per segment group 15 (max. 999 per SCC) Nexteer occurrences: 1 per segment group 15
 Function: segment to specify scheduled quantities which may be related to schedule(s) and, or pattern established in the following DTM segment, e.g. delivery quantity for a specified date. Nexteer interchange: see remarks.

Example: **QTY+79:100800:PC'**
 A B C

EDIFACT STANDARD DEFINITION						Nexteer IMPLEMENTATION		
REF	TAG	NAME	ST	FT	SP	ST	FT	REMARKS
	C186	QUANTITY DETAILS	M			M		
A	6063	Quantity qualifier	M	an..3	:	M	an..3	"79" = Actual cumulative quantity required by Nexteer.
B	6060	Quantity	M	n..15	:	M	n..12	Cumulative quantity requierd since start of inventory year by this supplier to this plant.
C	6411	Measure unit qualifier	C	an..3	'	C	an..3	For code value see UN/ECE Recommendation no. 20.

COMMENTS

6060 – Quantity

Supplier payment made against Nexteer Quantity Received and not Supplier Quantity Shipped.

0560 DTM - DATE/TIME/PERIOD

Description: see quantity information 1.

Example: **DTM+51:20030301:102'** Start date

DTM+52:20030331:102' End date

A B C

EDIFACT STANDARD DEFINITION								Nexteer IMPLEMENTATION
REF	TAG	NAME	ST	FT	SP	ST	FT	REMARKS

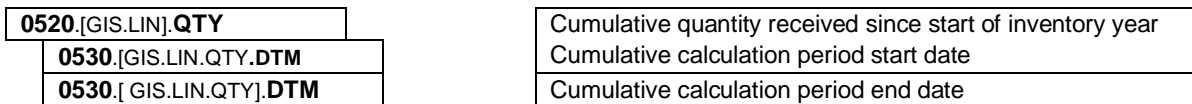
Start date

	C507	DATE/TIME/PERIOD	M			M		
A	2005	Date/time/period qualifier	M	an..3	:	M	an..3	"51" = Cumulative quantity, start date.
B	2380	Date/time/period	C	an..35	:	M	an..35	Start date of cumulative quantity calculation.
C	2379	Date/time/period format qualifier	C	an..3	'	M	an..3	"102" = CCYYMMDD.

End date

	C507	DATE/TIME/PERIOD	M			M		
A	2005	Date/time/period qualifier	M	an..3	:	M	an..3	"52" = Cumulative quantity, end date.
B	2380	Date/time/period	C	an..35	:	M	an..35	Last date of the authorisation
C	2379	Date/time/period format qualifier	C	an..3	'	M	an..3	"102" = CCYYMMDD.

SEGMENT GROUP 15 CUMULATIVE QUANTITY RECEIVED



0550 QTY - QUANTITY

Segment group: 15 [QTY.DTM.SG16] Level: 4
 EDIFACT status: mandatory if segment group 16 is used Nexteer status: mandatory
 Maximum use: 1 per segment group 15 (max. 999 per SCC) Nexteer occurrences: 1 per segment group 15
 Function: segment to specify scheduled quantities which may be related to schedule(s) and, or pattern established in the following DTM segment, e.g. delivery quantity for a specified date. Nexteer interchange: see remarks.

Example: **QTY+3:100800:PC'**

A B C

EDIFACT STANDARD DEFINITION								Nexteer IMPLEMENTATION
-----------------------------	--	--	--	--	--	--	--	------------------------

REF	TAG	NAME	ST	FT	SP	ST	FT	REMARKS
	C186	QUANTITY DETAILS	M			M		
A	6063	Quantity qualifier	M	an..3	:	M	an..3	"3" = Actual cumulative quantity received. Cumulative quantity of the part identified in the preceding LIN, shipped since start of inventory year by this supplier to this plant. For code value see UN/ECE Recommendation no. 20.
B	6060	Quantity	M	n..15	:	M	n..12	
C	6411	Measure unit qualifier	C	an..3	'	C	an..3	

COMMENTS

6060 – Quantity

Supplier payment made against Nexteer Quantity Received and not Supplier Quantity Shipped.

0560 DTM - DATE/TIME/PERIOD

Description: see quantity information 1.

Example: **DTM+51:20030301:102'** Start date

DTM+52:20030331:102' End date

A B C

EDIFACT STANDARD DEFINITION								Nexteer IMPLEMENTATION
REF	TAG	NAME	ST	FT	SP	ST	FT	REMARKS

Start date

	C507	DATE/TIME/PERIOD	M			M		
A	2005	Date/time/period qualifier	M	an..3	:	M	an..3	"51" = Cumulative quantity, start date.
B	2380	Date/time/period	C	an..35	:	M	an..35	Start date of cumulative quantity calculation.
C	2379	Date/time/period format qualifier	C	an..3	'	M	an..3	"102" = CCYYMMDD.

End date

	C507	DATE/TIME/PERIOD	M			M		
A	2005	Date/time/period qualifier	M	an..3	:	M	an..3	"52" = Cumulative quantity, end date.
B	2380	Date/time/period	C	an..35	:	M	an..35	Last date of the authorisation
C	2379	Date/time/period format qualifier	C	an..3	'	M	an..3	"102" = CCYYMMDD.

Segment group 16: RFF-DTM

Segment group: 16 Level: 4
 EDIFACT status: conditional Nexteer status: conditional
 Maximum use: 10 per message at level 1 Nexteer occurrences: 1 per message
 Function: group of segments giving references only relevant to the specified party rather than the whole message, e.g. contract number.
 Nexteer interchange: only RFF is transmitted in segment group 16.
 Sent only if previous delivery is to be referenced

0580 RFF - REFERENCE

Segment group: 16 [RFF.DTM] Level: 3
 EDIFACT status: mandatory if segment group 1 is used Nexteer status: mandatory
 Maximum use: 1 per segment group 1 (max. 10) Nexteer occurrences: 1 per segment group 1 Function: segment for referencing documents to the whole message, e.g. contract, import/export license. Nexteer interchange: see remarks.

Example: **RFF+SI:123455'**
 A B

EDIFACT STANDARD DEFINITION				Nexteer IMPLEMENTATION			
	C506	REFERENCE	M			M	
A	1153	Reference qualifier	M	an..3	:	M	an..3
B	1154	Reference number	C	an..35	:	C	an..35
	1156	Line number	C	an..6	:		
	4000	Reference version number	C	an..35	'		
"SI" = Shipper Identification. This number is the reference supplier Delivery Note number of the last delivery received.							

0590 DTM - DATE/TIME/PERIOD

Segment group: 16 [RFF.DTM] Level: 3
 EDIFACT status: conditional Nexteer status: conditional
 Maximum use: 2 per QTY in segment group 16 Nexteer occurrences: max. 2 per segment group

Function: segment indicating date/time/period details relating to the given quantity. Nexteer interchange: see remarks. Condition – not transmitted

Example: **DTM+11:20030312:102'** End date
 A B C

EDIFACT STANDARD DEFINITION				Nexteer IMPLEMENTATION				
REF	TAG	NAME	ST	FT	SP	ST	FT	REMARKS
Last recorded shipment date								
	C507	DATE/TIME/PERIOD	M			M		
A	2005	Date/time/period qualifier	M	an..3	:	M	an..3	"11" = Despatch Date/Time.
B	2380	Date/time/period	C	an..35	:	M	an..35	Date of the last ASN received for this part. In case there is no ASN the Receiving System's date will be inserted.
C	2379	Date/time/period format qualifier	C	an..3	'	M	an..3	"102" = CCYYMMDD.

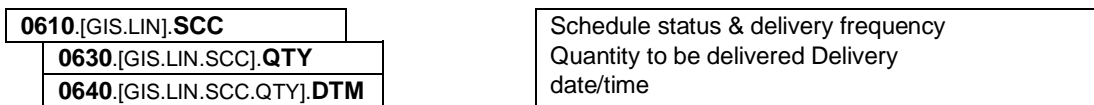
Note: For initial forecast transmission, will reflect system date and time.

REQUIREMENT INFORMATION

Segment group 17: SCC-SG18

Segment group: 17 [GIS.LIN.SG17]	Level: 3
EDIFACT status: conditional	Nexteer status: conditional
Maximum use: 999 per LIN in segment group 12	Nexteer occurrences: max. 999 per SG12
Function: group of segments specifying the schedule information for the product identified in the LIN segment.	
This segment group provides the schedule for the identified delivery point and product. Nexteer interchange: see description of different occurrences of segment group 17.	

SEGMENT GROUP 17	QUANTITY TO BE DELIVERED.
-------------------------	----------------------------------



0610 **SCC - SCHEDULING CONDITIONS**

Segment group: 17 [GIS.LIN.SCC]	Level: 3
EDIFACT status: mandatory if segment group 17 is used	Nexteer status: mandatory
Maximum use: 1 per segment group 17	Nexteer occurrences: 1 per segment group 17
Function: segment specifying the status of the schedule. Optionally a delivery pattern can be established, e.g. firm or proposed delivery pattern.	
Nexteer interchange: Nexteer will transmit up to 52 weeks which may consist of 2 weeks daily quantities, 10 weeks of weekly quantities and up to 9 monthly quantities.	

Example: SCC+1++D'	Daily quantities
SCC+4++W'	Weekly quantities
SCC+4++M'	Monthly planning quantities
A B	

EDIFACT STANDARD DEFINITION						Nexteer IMPLEMENTATION			
A	4017	DELIVERY PLAN STATUS INDICATOR, CODED	M	an..3	+	M	an..3	Code value qualifying the quantity defined in the following QTY. For code value see below.	
	4493	DELIVERY REQUIREMENTS, CODED	C	an..3	+				
B	C329	<i>PATTERN DESCRIPTION</i>	C	an..3	:	C	an..3	Definition of the time unit for the quantity defined in the preceding QTY. For code value see below.	
	2013	Frequency, coded	C	an..3	:	C	an..3		
	2015	Despatch pattern, coded	C	an..3	:	C	an..3		
	2017	Despatch pattern timing, coded	C	an..3	:				

CODE VALUES

4017 - Delivery Plan Status Indicator, coded

- 1 Firm quantity
- 4 Planning quantity

2013 - Frequency, coded

D Daily (10 days)
 W Weekly (10 weeks)
 M Monthly (9 months)

Segment group 18: QTY-DTM-SG19

Segment group: 18 [GIS.LIN.SCC.SG17] Level: 4
 EDIFACT status: conditional Nexteer status: conditional
 Maximum use: 999 per SCC in segment group 17 Nexteer occurrences: max. 999 per SG17 Function: group of segments specifying product quantities and associated dates. Nexteer interchange: see description of different occurrences of segment group 17.

0630 QTY - QUANTITY

Segment group: 18 [GIS.LIN.SCC.QTY] Level: 4
 EDIFACT status: mandatory if segment group 18 is used Nexteer status: mandatory
 Maximum use: 1 per segment group 18 (max. 999 per SCC) Nexteer occurrences: 1 per segment group 18
 Function: segment to specify scheduled quantities which may be related to schedule(s) and, or pattern established in the following DTM segment, e.g. delivery quantity for a specified date. Nexteer interchange: see remarks.

Example: **QTY+1:33600:PC'**

A B C

EDIFACT STANDARD DEFINITION						Nexteer IMPLEMENTATION		
REF	TAG	NAME	ST	FT	SP	ST	FT	REMARKS
	C186	QUANTITY DETAILS	M			M		
A	6063	Quantity qualifier	M	an..3	:	M	an..3	"1" = Discrete Quantity.
B	6060	Quantity	M	n..15	:	M	n..15	Forecasted quantity for the time period defined by the preceding SCC.
C	6411	Measure unit qualifier	C	an..3	'	C	an..3	For code value see UN/ECE Recommendation No. 20.

Note: We will be providing a past due qty where the DTM will be from a previous date. This value is provided by taking the Cum required and subtracting the cum received. We do not take into consideration the In-Transit qty. This value is for your information only and you may calculate your own past due using your total cum and shipment information.

QTY+1:10500:PC
DTM+10:20150613:102

0640 DTM - DATE/TIME/PERIOD

Segment group: 18 [GIS.LIN.SCC.QTY.DTM] Level: 5
 EDIFACT status: conditional Nexteer status: conditional
 Maximum use: 2 per QTY in segment group 18 Nexteer occurrences: max. 2 per segment group 18
 Function: segment indicating date/time/period details relating to the given quantity.
 Conditional on timing estimate

Example: **DTM+10:20030324:102'**
 A B C

Always

	EDIFACT STANDARD DEFINITION	Nexteer IMPLEMENTATION
--	-----------------------------	------------------------

1st occurrence: always (SCC 2013 = W or F).

	C507	DATE/TIME/PERIOD	M			M		
A	2005	Date/time/period qualifier	M	an..3	:	M	an..3	"10" = Shipment date/time, requested. Monday of the week/period associated with the quantity defined in the preceding QTY.
	2380	Date/time/period	C	an..35	:	M	an..35	
C	2379	Date/time/period format qualifier	C	an..3	'	M	an..3	"102" = CCYYMMDD.

AUTHORIZATION INFORMATION

SEGMENT GROUP 17	CUMULATIVE FABRICATION AUTHORIZATION
-------------------------	---

0610.[GIS.LIN].SCC	Cumulative fabrication authorization quantity Authorisation code Cumulative calculation period start date Cumulative calculation period end date
0630.[GIS.LIN.SCC].QTY	
0640.[GIS.LIN.SCC.QTY].DTM	
0640.[GIS.LIN.SCC.QTY].DTM	

0610 **SCC - SCHEDULING CONDITIONS**

Description: see quantity information 1.

Example: **SCC+2'**
 A

EDIFACT STANDARD DEFINITION					Nexteer IMPLEMENTATION				
A	4017	DELIVERY PLAN STATUS INDICATOR, CODED	M	an..3	+	M	an..3	"2" = Commitment for manufacturing and material. (Fabrication Authorization)	
REST OF SEGMENT NOT USED.									

0630 **QTY - QUANTITY**

Description: see quantity information 1.

Example: **QTY+3:168000:PC'**
 A B C

EDIFACT STANDARD DEFINITION					Nexteer IMPLEMENTATION				
<i>QUANTITY DETAILS</i>									
A	6063	Quantity qualifier	M	an..3	:	M	an..3	"3" = Cumulative quantity. Cumulative fabrication authorisation quantity for the period defined in the following DTM's For code value see UN/ECE Recommendation No. 20.	
B	6060	Quantity	M	n..15	:	M	n..15		
C	6411	Measure unit qualifier	C	an..3	'	C	an..3		

0640 DTM - DATE/TIME/PERIOD

Description: see quantity information 1.

Example: **DTM+51:20030301:102'** Start date

DTM+52:20030331:102' End date

A B C

EDIFACT STANDARD DEFINITION							Nexteer IMPLEMENTATION	
REF	TAG	NAME	ST	FT	SP	ST	FT	REMARKS

Start date

	C507	DATE/TIME/PERIOD	M			M		
A	2005	Date/time/period qualifier	M	an..3	:	M	an..3	"51" = Cumulative quantity, start date.
B	2380	Date/time/period	C	an..35	:	M	an..35	Start date of cumulative quantity calculation.
C	2379	Date/time/period format qualifier	C	an..3	'	M	an..3	"102" = CCYYMMDD.

End date

	C507	DATE/TIME/PERIOD	M			M		
A	2005	Date/time/period qualifier	M	an..3	:	M	an..3	"52" = Cumulative quantity, end date.
B	2380	Date/time/period	C	an..35	:	M	an..35	Last date of the authorisation
C	2379	Date/time/period format qualifier	C	an..3	'	M	an..3	"102" = CCYYMMDD.

SEGMENT GROUP 17
CUMULATIVE MATERIAL AUTHORIZATION

0610.[GIS.LIN].SCC	Authorization code
0630.[GIS.LIN.SCC].QTY	Cumulative material authorisation quantity
0640.[GIS.LIN.SCC.QTY].DTM	Cumulative calculation period start date
0640.[GIS.LIN.SCC.QTY].DTM	Cumulative calculation period end date

0610 SCC - SCHEDULING CONDITIONS

Description: see quantity information 1.

Example: **SCC+3'**
A

EDIFACT STANDARD DEFINITION						Nexteer IMPLEMENTATION		
REF	TAG	NAME	ST	FT	SP	ST	FT	REMARKS
A	4017	DELIVERY PLAN STATUS INDICATOR, CODED	M	an..3	+	M	an..3	"3" = Commitment for material. (Material Authorization)
REST OF SEGMENT NOT USED.								

0630 QTY - QUANTITY

Description: see quantity information 1.

Example: **QTY+3:201600:PC'**
A B C

EDIFACT STANDARD DEFINITION						Nexteer IMPLEMENTATION		
REF	TAG	NAME	ST	FT	SP	ST	FT	REMARKS
	C186	QUANTITY DETAILS	M			M		
A	6063	Quantity qualifier	M	an..3	:	M	an..3	"3" = Cumulative quantity. Cumulative material authorisation quantity for the period defined in the following DTM's For code value see UN/ECE Recommendation No. 20.
B	6060	Quantity	M	n..15	:	M	n..15	
C	6411	Measure unit qualifier	C	an..3	'	C	an..3	

0640 DTM - DATE/TIME/PERIOD

Description: see quantity information 1.

Example: **DTM+51:20030401:102'** Start date
DTM+52:20030407:102' End date
A B C

EDIFACT STANDARD DEFINITION						Nexteer IMPLEMENTATION		
-----------------------------	--	--	--	--	--	------------------------	--	--

Start date

	C507	DATE/TIME/PERIOD	M			M		
A	2005	Date/time/period qualifier	M	an..3	:	M	an..3	"51" = Cumulative quantity, start date.
B	2380	Date/time/period	C	an..35	:	M	an..35	Start date of cumulative quantity calculation.
C	2379	Date/time/period format qualifier	C	an..3	'	M	an..3	"102" = CCYYMMDD.

End date

	C507	DATE/TIME/PERIOD	M			M		
A	2005	Date/time/period qualifier	M	an..3	:	M	an..3	"52" = Cumulative quantity, end date.
B	2380	Date/time/period	C	an..35	:	M	an..35	Last date of the authorization.
C	2379	Date/time/period format qualifier	C	an..3	'	M	an..3	"102" = CCYYMMDD.

3.8. EXAMPLE OF MESSAGE

Example of NEXTEERNA (SAGINAW) DELFOR

The following example is only illustrative and may not reflect an existing situation as either a test or production transmission.

```

UNB+UNOA:2+NEXTEERNA:ZZ+QQQ:ZZ+111004:0320+242++DEL
FOR'
UNH+1+DELFOR:D:97A:UN'
BGM+241+25002+5'
DTM+137:201110020320:203'
DTM+158:20111003:102'
DTM+159:20120702:102'
NAD+SU+999123456::16'

NAD+MI+005356878::16'
GIS+37'
NAD+ST+005356878::16++NEXTEER AUTOMOTIVE'
CTA+IC+:JOE EDI'
COM+ 989 999 9999:TE'
COM+ john.smith@nexteer.com:EM'
LIN+++123ABC99:IN'
IMD+++::NUTS AND BOLTS'
LOC+11+07'

LOC+159+0001'
RFF+ON:9012345'
QTY+79:100800:PC'
DTM+51:20110317:102'
DTM+52:20111001:102'
QTY+3:100800:PC'
DTM+51:20110317:102'
DTM+52:20111001:102'
RFF+SI:123455'
    
```

```

Nexteer Mailbox ID:ZZ; *Supplier Mailbox ID:ZZ
Document Type, Version
Release Number (Release ID)
Document issue date
Horizon start date
Horizon end date (can be up to 52 weeks out)
Supplier DUNS number
Nexteer DUNS number(may differ per plant or
division)005356878 = NA

Nexteer ship to location
Nexteer contact name
Nexteer contact telephone number(up to 17 #) Nexteer
Contact Email Address
Nexteer Part Number
First Nexteer part description
Nexteer Plant code and receiving dock
Line feed location/Material handling code( reserve for
future use)
Purchase Order
Cumulative qty Required since cum rollback
Start date cum qty required calculation
End date cum qty required calculation
Cumulative qty Received since cum rollback
Start date cum qty received calculation
End date cum qty received calculation
Last ASN number received
    
```

DTM+11:20110927:102'	Last ASN received date
SCC+1++D'	Firm Quantity Immediate/Past Due considers qty shipped on ASN
QTY+1:0:PC'	Quantity
DTM+10:20111003:102'	Shipment date requested
SCC+4++D'	Planning Quantity possible2 wks daily/10 weekly/9 monthly
QTY+1:3600:PC'	Quantity
DTM+10:20111010:102'	Shipment date requested
QTY+1:3600:PC'	Quantity
DTM+10:20111011:102'	Shipment date requested
QTY+1:3600:PC'	Quantity
DTM+10:20111012:102'	Shipment date requested
.....	Up to 29 Iterations of QTY/DTM
SCC+2'	Commitment for manufacturing and material
QTY+3:168000:PC'	Cumulative fabrication authorization quantity
DTM+51:20110317:102'	Start date cum qty fab auth calculation
DTM+52:20111024:102'	End date cum qty fab auth calculation
SCC+3'	Commitment for material
QTY+3:201600:PC'	Cumulative material authorization quantity
DTM+51:20110317:102'	Start date cum qty mat auth calculation
DTM+52:20111024:102'	End date cum qty mat auth calculation
GIS+37'	Second Nexteer part number LOOP
.....	
UNT+65+1'	Message segment count, UNT through UNH inclusive
UNZ+1+242'	Message count

EXAMPLE OF NEXTEER MEXICO DELFOR

The following example is only illustrative and may not reflect an existing situation as either a test or production transmission.

UNB+UNOA:2+NEXTEERMZ:ZZ+99999999:ZZ+150616:0338+221	Nexteer Mailbox ID:ZZ; *Supplier Mailbox ID:ZZ
UNH+22100001+DELFOR:D:97A:UN	Document Type, Version
BGM+241+20150615-002+5	Release Number (Release ID)
DTM+137:201506152135:203	Document issue date
DTM+158:20150101:102	Horizon start date
DTM+159:20160606:102	Horizon end date (can be up to 52 weeks out)
NAD+SU+094810736::16	Supplier DUNS number
NAD+MI+812138881::16	Nexteer DUNS number(may differ per plant or division)
GIS+37'	
NAD+ST+268::16++STEERINGMEX DE RL DE CV - PLANT 68	Nexteer ship to location
CTA+IC+:JOE EDI'	Nexteer contact name
COM+ 989 999 9999:TE'	Nexteer contact telephone number(up to 17 #) Nexteer
COM+ joe.edi@nexteer.com:EM'	Contact Email Address
LIN+++26133861:IN	Nexteer Part Number
IMD+++:::RETAINER, STRG SHAFT	First Nexteer part description
LOC+11+268	Nexteer Plant code and receiving dock

LOC+159+0001'	<i>Line feed location/Material handling code(reserve for future use)</i>
RFF+ON:90I8710:1	<i>Purchase Order/Line #</i>
QTY+79:100800:PC'	<i>Cumulative qty Required since cum rollback</i>
DTM+51:20110317:102'	<i>Start date cum qty required calculation</i>
DTM+52:20111001:102'	<i>End date cum qty required calculation</i>
QTY+3:100800:PC'	<i>Cumulative qty Received since cum rollback</i>
DTM+51:20110317:102'	<i>Start date cum qty received calculation</i>
DTM+52:20111001:102'	<i>End date cum qty received calculation</i>
SCC+1++D'	<i>Firm Quantity Immediate/Past Due considers qty shipped on ASN</i>
QTY+1:0:PC'	<i>Past Due Quantity</i>
DTM+10:20111003:102'	<i>Past Due Date</i>
SCC+4++W'	<i>Scheduling Condition</i>
QTY+1:18000:PC	<i>Quantity to Ship</i>
DTM+10:20150622:102 SCC+4++W	<i>Shipment date requested</i>
.....	<i>Scheduling Condition = Weekly</i>
UNT+65+1'	<i>Message segment count, UNT through UNH inclusive</i>
UNZ+1+242'	<i>Message count</i>

For purposes of readability, the message has been shown with each segment on a separate line. This will not be the case when the message is normally transmitted.